

SEP sesam

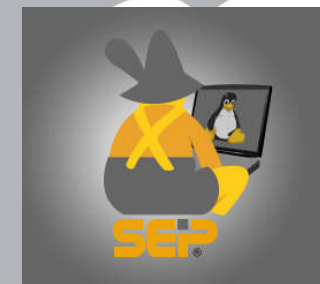
***extend your infrastructure business
with a heterogeneous backup
solution***

Josef Kastl
Tasa Italia Srl
Josef.kastl@tasaitalia.it



The Topics

- Survey of SEP AG
- SEP building blocks
- SEP sesam – product placement, competitive environment and USPs
- Support structures for customers and partners
- SEP partner program
- Support structures for customers and partners
- SEP marketing – support and material



About SEP AG

- **SEP AG**

German vendor of Backup and Disaster Recovery Software.
Headquarter in Weyarn, near Munich.

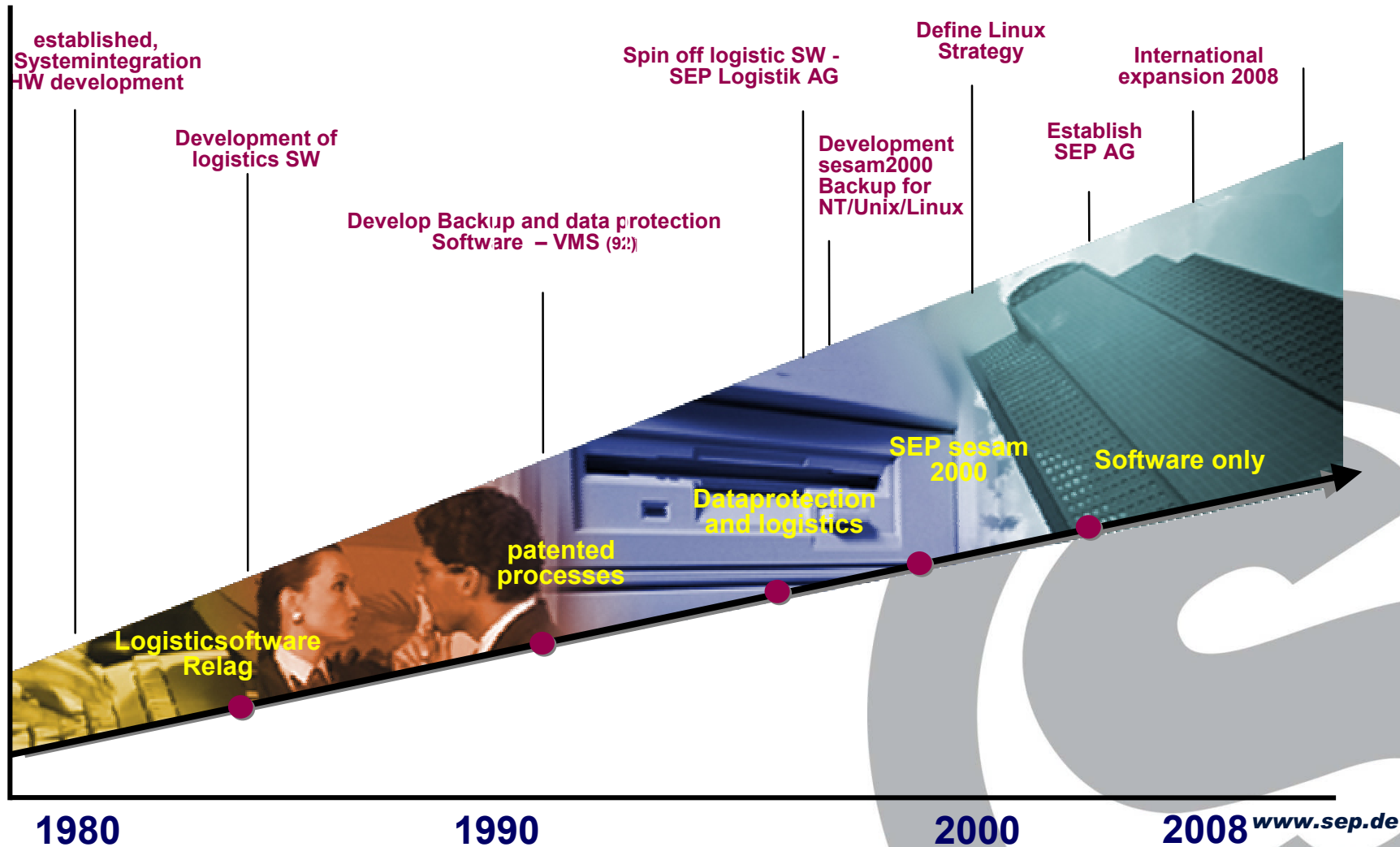
German development – german support!

World Wide Sales via Partners (only)
> 2000 Customers in > 40 countries

Subsidiary in Boulder / Colorado (USA)



Who we are



SEP offering

The SEP Portfolio
Software SEP sesam, Update,
Support, Consulting and Training

SEP Produkte



SEP sesam – Backup from A bas to Z arafa

Applications Ebene

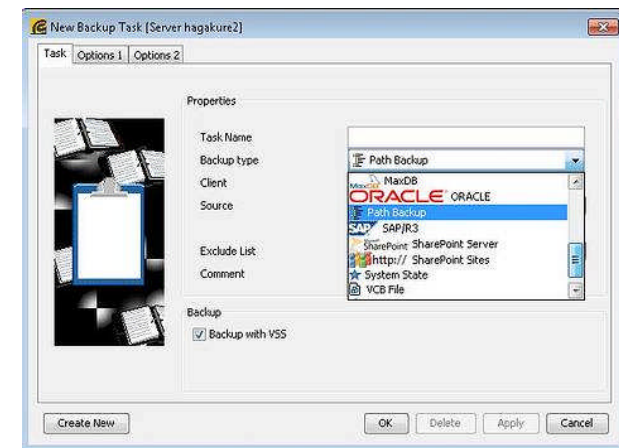
Online Datenbank Module

Operating System / Filesystem

Virtualisierung

SEP sesam – the solution

- SEP sesam version 4.
A secure, robust, flexible Backup Solution, Restore, Disaster Recovery for every environment - LAN, WAN and SAN are backed up reliably, and restored in the shortest possible time.
- SEP sesam can replace multiple backup solutions. Backup Microsoft, Linux, Unix, Netware, OES and more along with databases and popular groupware solutions with one technology.
- SEP sesam backs up and restores fast and reliably all VMware virtual environments along with Microsoft HyperV and Citrix XenServer environments.



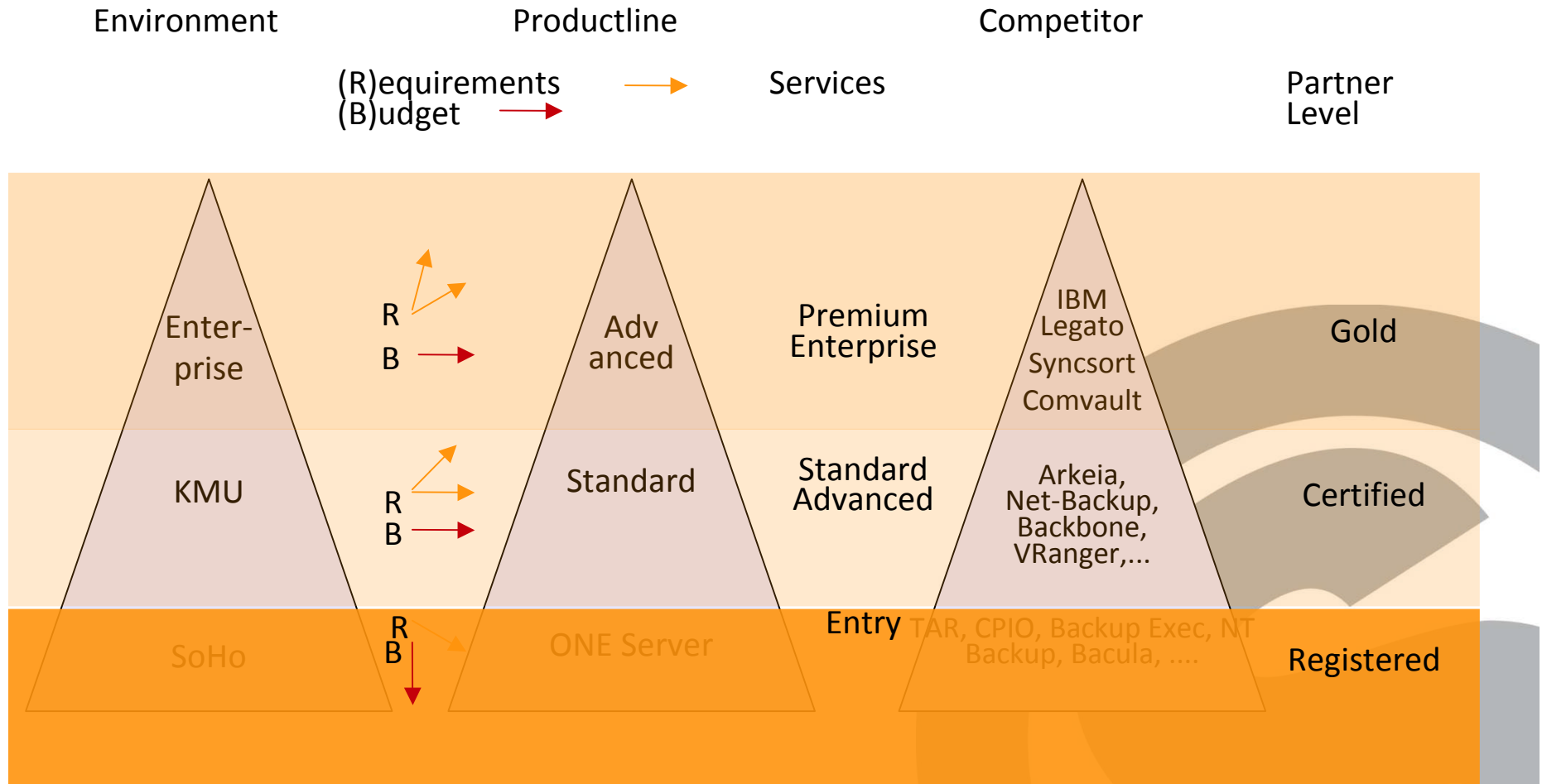
SEP sesam – most important Features

- Support of heterogenous environments
- Hot Backup for critical databases - including DB2, Informix, MS SQL, MySQL, PostgreSQL, Oracle, SAP R/3, Ingres and more.
- Extensive groupware hot backup module offerings for MS-SQL, Lotus Domino, Groupwise and Open Source Groupware Solutions.
- With the SEP sesam Command Line Interface (CLI) a complete automated management of the SEP sesam Server is possible
- Recovery can be made to a secondary (backup) server in the event of a disaste
- Disaster Recovery (Bare System Recovery) for Linux and Windows
- Unlimited data streams can be backed up at one time
→ fast backup. Backup windows can be reduced up to 80%.
- Cluster support for Microsoft, Linux, Novell OES2, Novell NetWare, etc.
- DISK-to-DISK-to-TAPE Migration and Replication of data to all supported data media types,

Why Backup?

- **Knowledge (Data)** is the most important Capital for each company
→ **Backup** is insurance for all company activities
- Backup is the only possibility to **ensure a restore of Data**
- **Financial and governmental rules** require constant Backup
- There are only two types of Data. Data which are backed up and which are not yet lost... (Quote: Tandberg)

SEP Markets

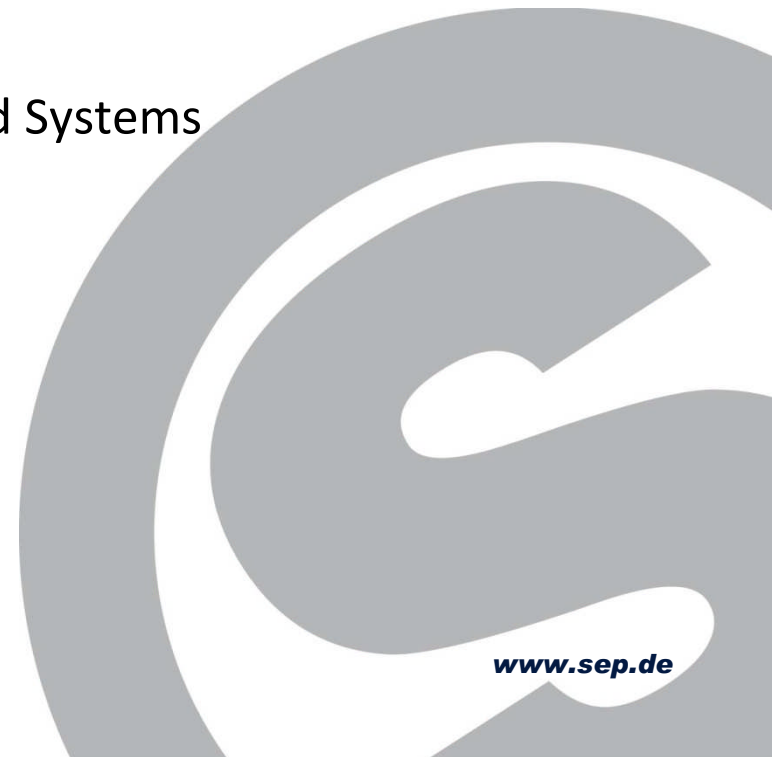


SEP Network

- SEP Extensions
 - Hot backup of commercial and Open Source Databases systems
- Disaster Recovery (BSR – Bare System Recovery)
 - Disaster Recovery on dissimilar hardware – Windows and Linux
- VM Backup
 - Vmware Backup (VCB) integrated in SEP sesam Backup – no additional tools (like Vramer) required
 - XEN Backup for free (via Snapshots)
 - HyperV support (VSS)
 - Citrix XEN Module in development

SEP sesam Components

- SEP Backup Server
- SEP GUI
- SEP Client
- SEP Data Mover and Remote Device Server
- Autoloader Support
- Storagepool
- Database and Groupware Extensions
- Disaster Recovery and Backup of virtualized Systems
- SEP Services (Upgrade, Support,...)



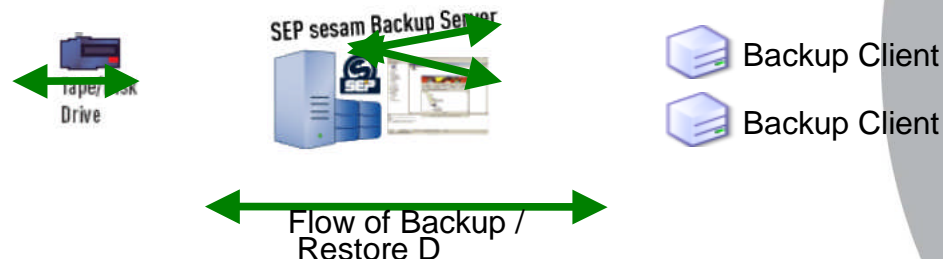
SEP Backup Server & Client

- **SEP sesam Server**

- **ONE Server** (single stream Backup, 1TB Virtual Tape Library included)
- **Standard Server** (5 parallel backup streams, 1TB Virtual Tape Library included)
- **Advanced Server** (25 parallel backup streams, 2TB Virtual Tape Library included)
- **Premium Server** (100 parallel backup streams, 4TB Virtual Tape Library included)
- **Enterprise Server** (250 parallel backup streams, 10TB Virtual Tape Library included)
- Master GUI (manage several servers within one GUI) – always included
- technical identical – differentiation only via the license key
- Upgrade – just copy new license file on the server
- Backup to Disk or Backup to Tape – single tape drive included
- available for Linux, Windows, Unix

- **SEP sesam Client**

- each system you like to backup is a client
- independent from the Operating System
- only the amount of clients is important
- just count the number of IP Adresses you like to backup :-)

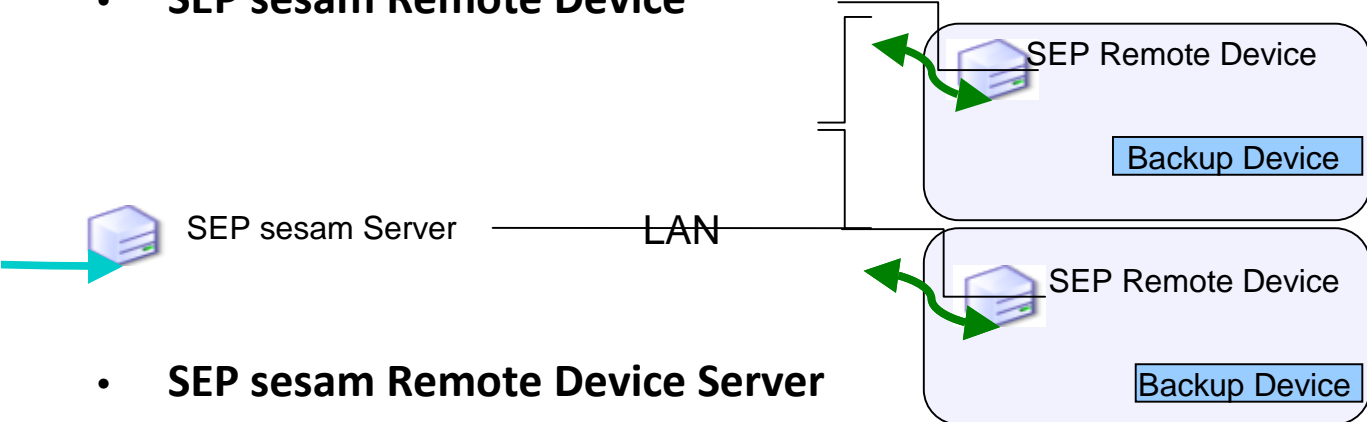


Mediapools and Extensions

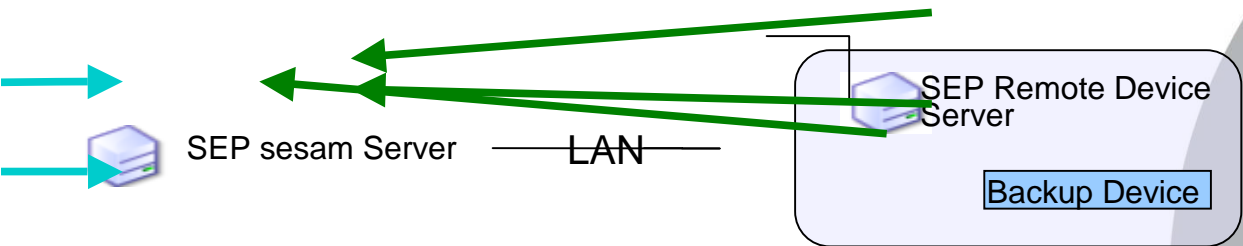
- **Backup to Disk – SEP Storagepool**
 - Virtual Tape Library (VTL) included in each Server – amount of managed disk space depends on type of server
 - additional disk space can be extended at any time
 - migrate and duplicate data from the Storagepool (Disk) to Tape – Disk-to-Disk-to-Tape (D2D2T)
- **Autolader Support – Library Support**
 - Licensing of the used Slots in a library
 - number of drives – not important
 - type of library – not important
 - number of libraries in an environment - not important
- **SEP Extensions**
 - provide additional functionality to the SEP Backup Client
 - Online Backup of Database or Groupwaresystems
 - SAP certification
 - additional to the client license on the server – always a client license is needed for the base communication SEP sesam Backup Server – Client system

Remote Device & Remote Device Server

- SEP sesam Remote Device



- SEP sesam Remote Device Server

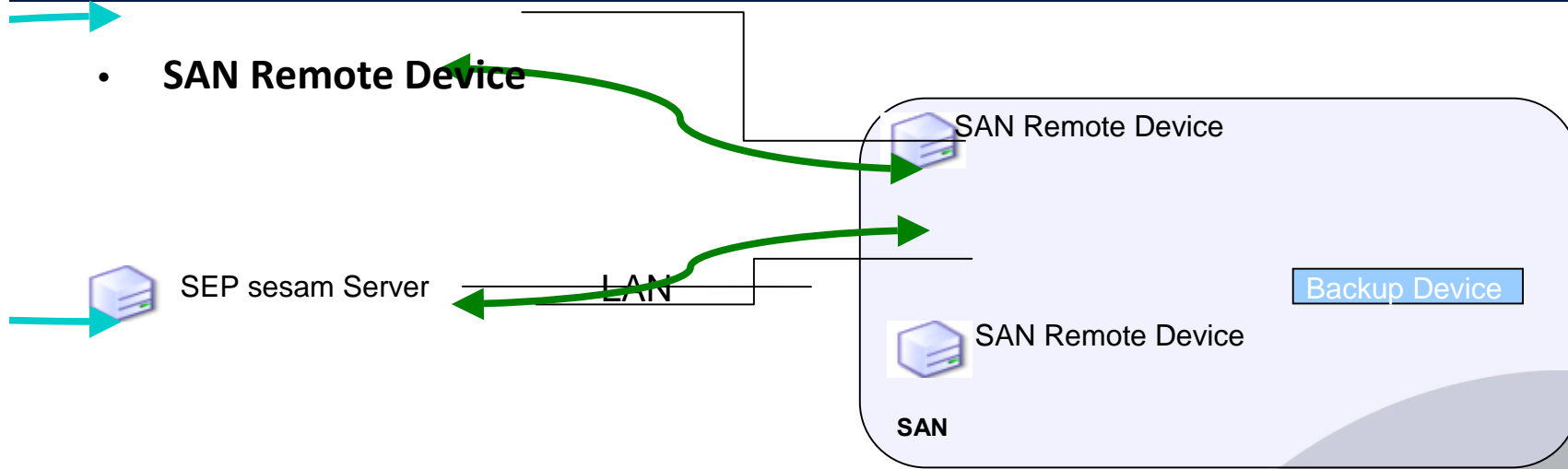


Server 1
Server 2
Server 3
Additional Servers to Backup - SEP Clients

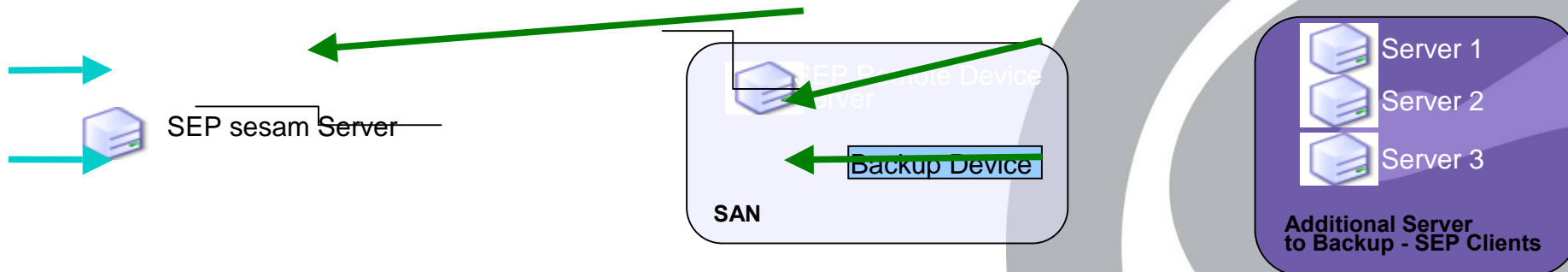
Flow of Backup / Restore Data
 Flow of Control / Log Data

SAN Remote Device & SAN RDS

- SAN Remote Device



- SAN Remote Device Server



← Flow of Backup / Restore Data →

← Flow of Control / Log Data →

Thank you!

SEP AG

Weyarn
Germany

